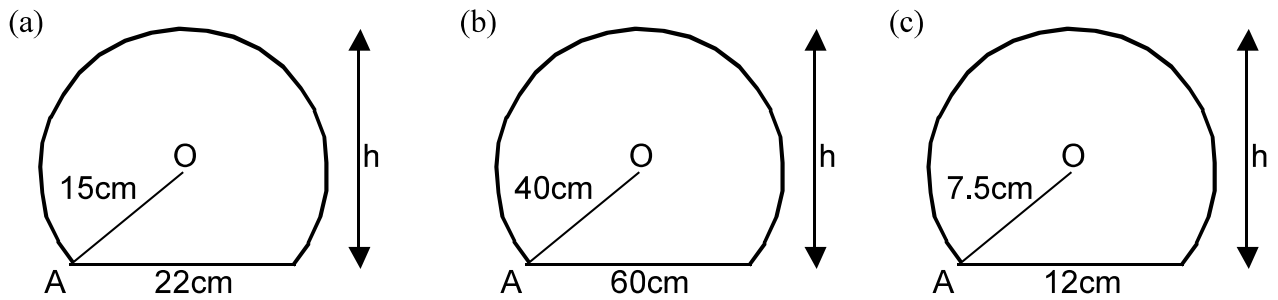


Circle Calculations

1. Each diagram below shows a cut-off circle with a horizontal base. OA is a radius of the circle. Calculate h.



2. In each circle below OP is a radius. Calculate x.

